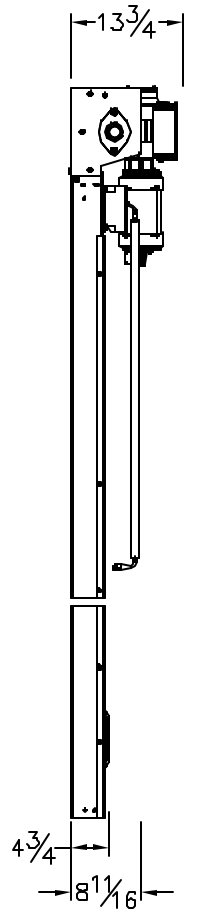
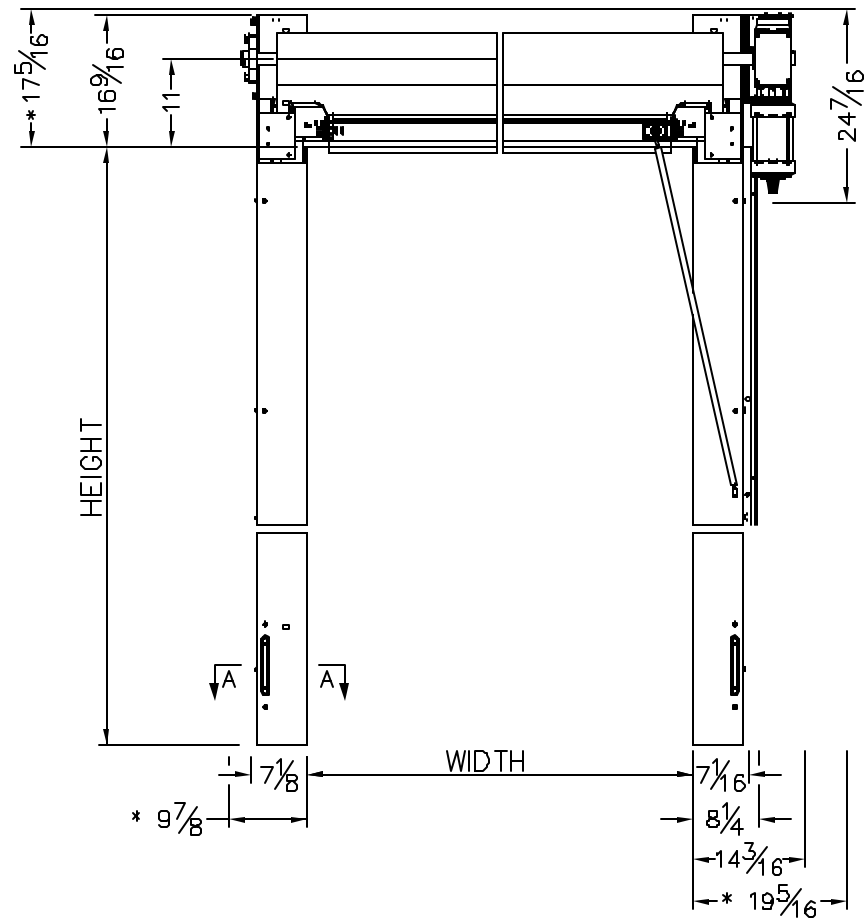
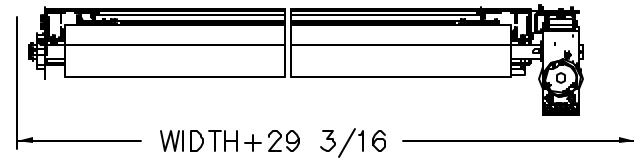
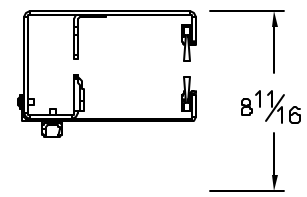


CUSTOMER:
 ADDRESS:
 CITY & STATE:
 JOB:
 MODEL: SPEED-COMMANDER™1400
 LOCATION:

HÖRMANN FLEXON DEALER REPRESENTATIVE
 COMPANY:
 ADDRESS:
 CITY & STATE:
 TELEPHONE:



ALL DIMENSIONS ARE IN INCHES.
 * NECESSARY SPACE REQUIREMENT FOR DISASSEMBLY



SECTION "A-A"

Hörmann Flexon LLC
 Buncher Commerce Park
 Avenue C, Building 20A
 Leetsdale, PA 15056-1376
 Phone: (412)749-0400
 Fax: (412) 749-0410
 www.hormann-flexon.com
 WE RESERVE THE RIGHT TO CHANGE SPECIFICATIONS WITHOUT NOTICE

DRAWN	DATE
PTF	8'29'08
CHECKED	DATE
APPROVED	DATE



NAME
 HIGH PERFORMANCE DOOR SPECIFICATIONS
 MODEL: SPEED-COMMANDER™1400