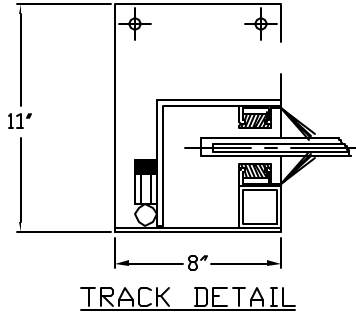
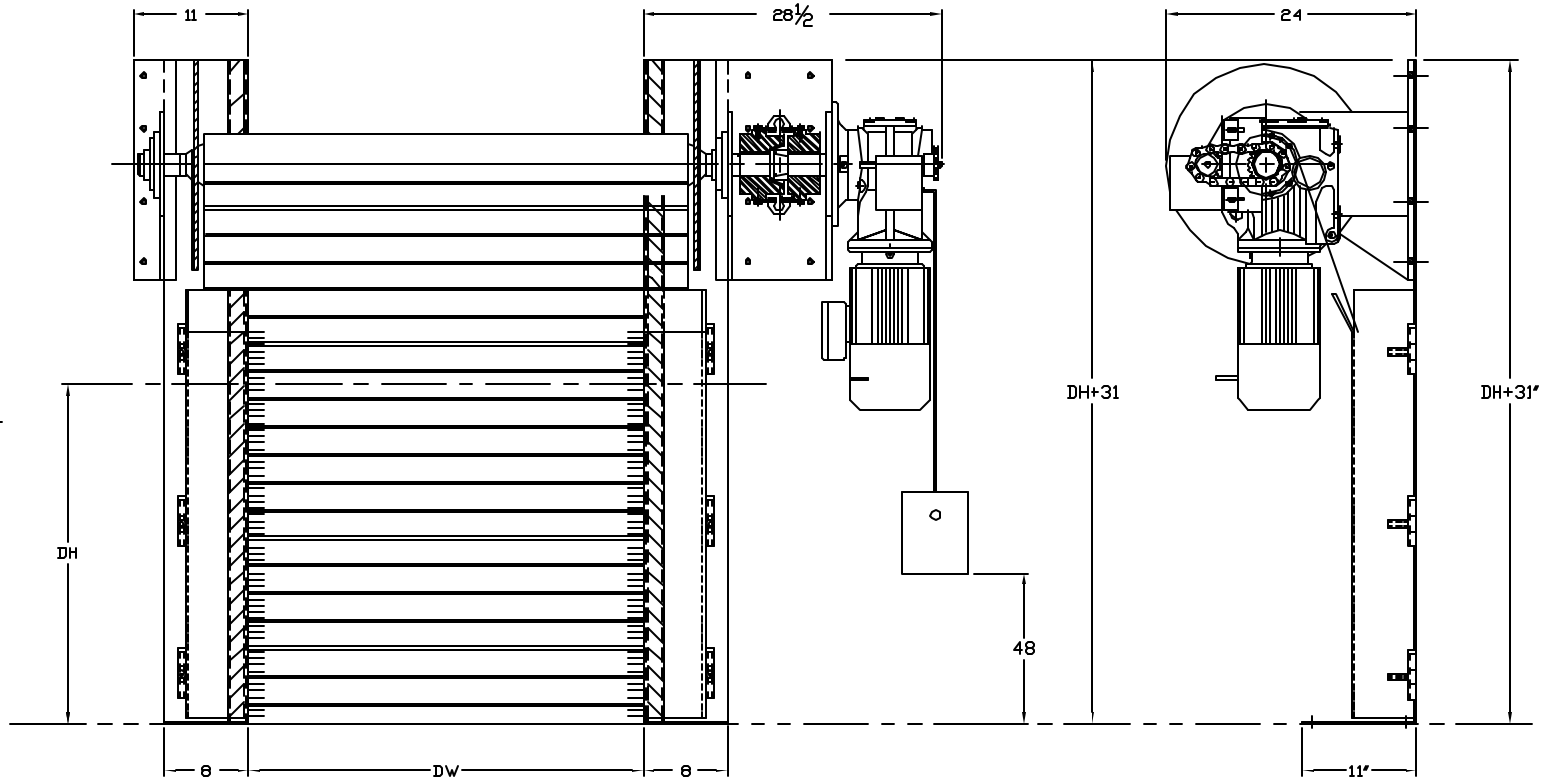
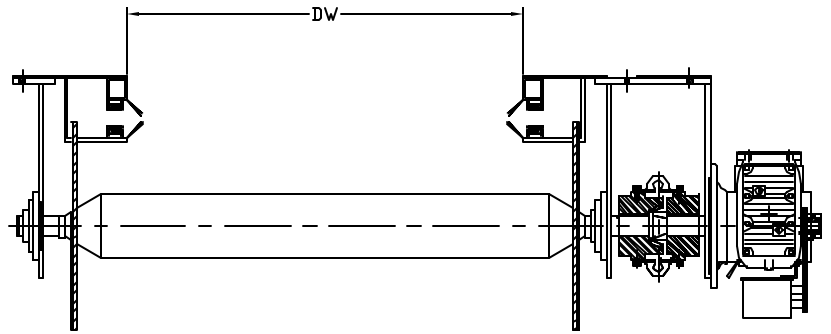


CUSTOMER:
 ADDRESS:
 CITY & STATE:
 JOB:
 MODEL: SPEED-MASTER 3500
 LOCATION:

FLEXON, INC. DEALER REPRESENTATIVE
 COMPANY:
 ADDRESS:
 CITY & STATE:
 TELEPHONE:



FLEXON, INC.
 CORPORATE FACILITY:
 BUNCHER INDUSTRIAL PARK
 AVENUE C BUILDING 20-A
 LEETSDALE, PA 15056-1376
 TELEPHONE: (412) 749-0400 Outside U.S.A.
 TOLL FREE: (800) 365-3667
 FAX: (412) 749-0410
 WEB SITE: www.flexoninc.com

NOTE: ALL DIMENSIONS ARE IN INCHES.



FLEXON INC.
 BUNCHER INDUSTRIAL PARK
 AVENUE C, BUILDING 20-A
 LEETSDALE, PA 15056
 (800) 365-3667 / (412) 749-0400

STEEL-MASTER 3500
 DOORS > 10'-0" HIGH

WE RESERVE THE RIGHT TO CHANGE SPECIFICATIONS WITHOUT NOTICE

DESIGNED BY: PTF	DRAWN BY: PTF	TESTED BY:	DRAWING NUMBER:
SHEET NUMBER: 1	NUMBER OF SHEETS: 1	PAPER SIZE: ANSI 'B'	SCALE: 1:1
			DATE: 9-15-05