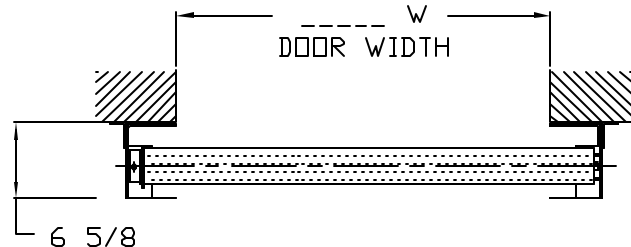


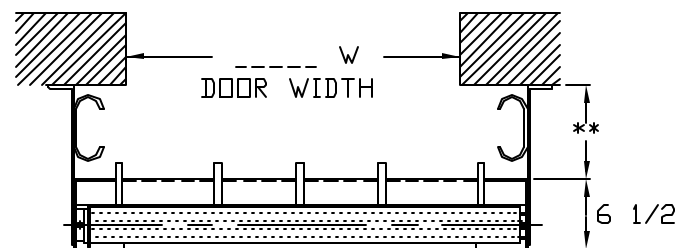
CUSTOMER:
 ADDRESS:
 CITY & STATE:
 JOB:
 MODEL:
 LOCATION:

HÖRMANN FLEXON DEALER REPRESENTATIVE
 COMPANY:
 ADDRESS:
 CITY & STATE:
 TELEPHONE:

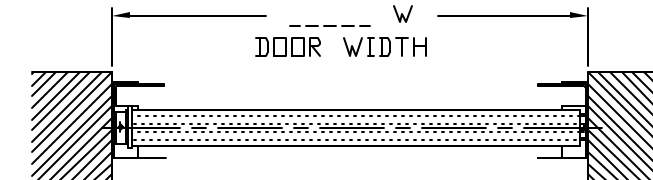
FACE OF WALL MOUNT



OVERHEAD DOOR (OHD) STAND-OFF MOUNT

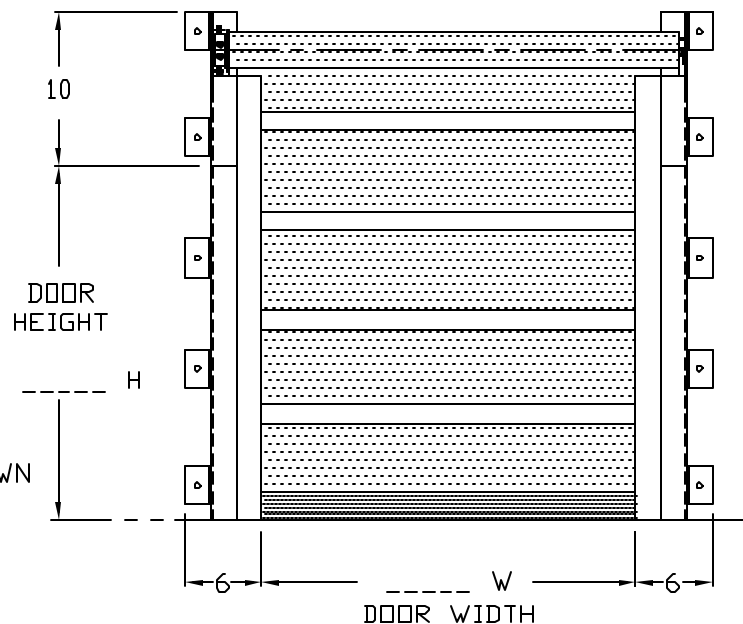


UNDER LINTEL MOUNT (STANDARD)

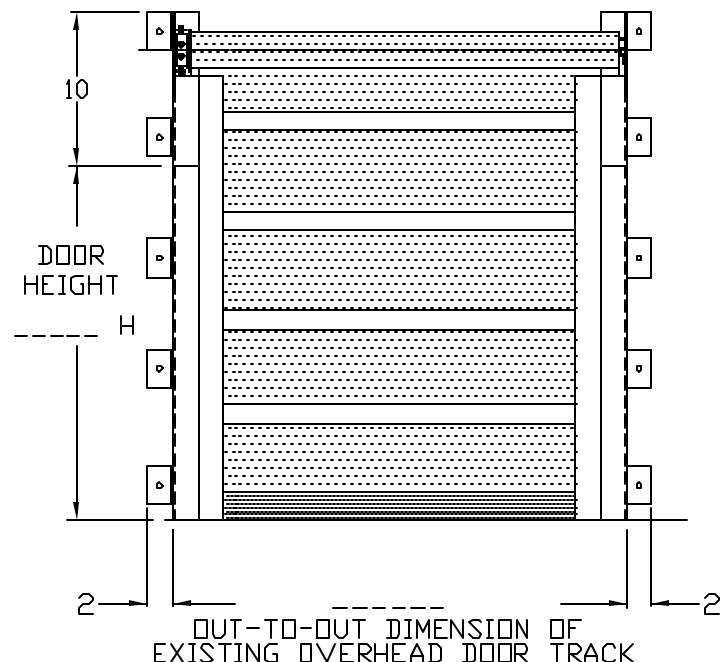
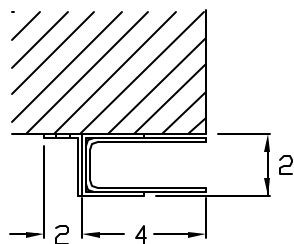


STANDARD FEATURES

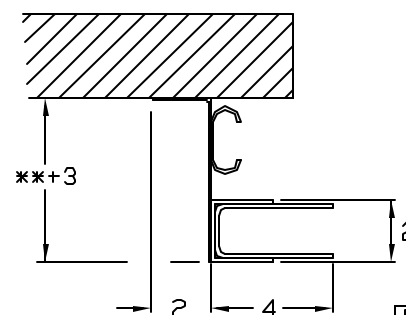
- 10 OZ./SQ.YD. HIGH STRENGTH VINYL COATED POLYESTER WEAVE CURTAIN.
- COLOR: ROYAL BLUE FOR ADDITIONAL COLORS, CONSULT FACTORY.
- 2 INCH SQUARE GALVANIZED 11 GAUGE STEEL C-CHANNEL GUIDE TRACKS
- ALUMINUM WIND STABILIZER PROFILES
- 4 INCH HIGH X FULL WIDTH 18 OZ./SQ.YR. ORANGE VINYL SAFETY STRIPES
- 110 VOLT, SINGLE PHASE TUBULAR MOTOR SPEED: 12 TO 14 IN./SEC. UP & DOWN
- FOAM FILLED BOTTOM DRAFT SEAL
- TWO POSITION, CONSTANT CONTACT NEMA 1 ROCKER SWITCH ACTIVATION
- TEAR RESISTANT SAFETY ORANGE VINYL DRAFT SEALS EXTEND 2 INCHES OUT OF GUIDE TRACKS
- VINYL HEAD CURTAIN (NOT SHOWN)



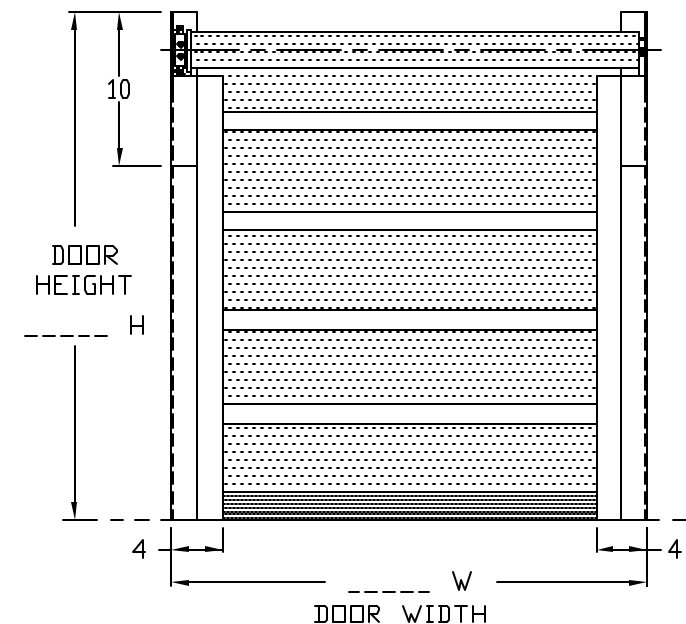
MAXIMUM DOOR SIZE: 112 WIDE X 168 HIGH



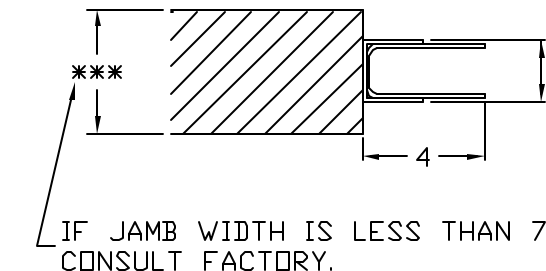
MAXIMUM DOOR SIZE: 112 WIDE X 168 HIGH



** ADVISE PROJECTION OF DOOR TRACK 10 INCHES ABOVE LINTEL



MAXIMUM DOOR SIZE: 120 WIDE X 178 HIGH



Hörmann Flexon LLC
 Buncher Commerce Park
 Avenue C, Building 20A
 Leetsdale, PA 15056-1376
 Phone: (800)365-3667
 Fax: (412) 749-0410
 www.hormann-flexon.com

WE RESERVE THE RIGHT TO CHANGE SPECIFICATIONS WITHOUT NOTICE COVERED BY U.S. PATENT NO. 4,736,785.

NOTE:
 ALL DIMENSIONS ARE IN INCHES.

DRAWN	DATE
PTF	5'24'04
CHECKED	DATE
APPROVED	DATE



NAME
 SERIES SC MODEL SC-100
 AUTOMATIC INSECT CONTROL BARRIER