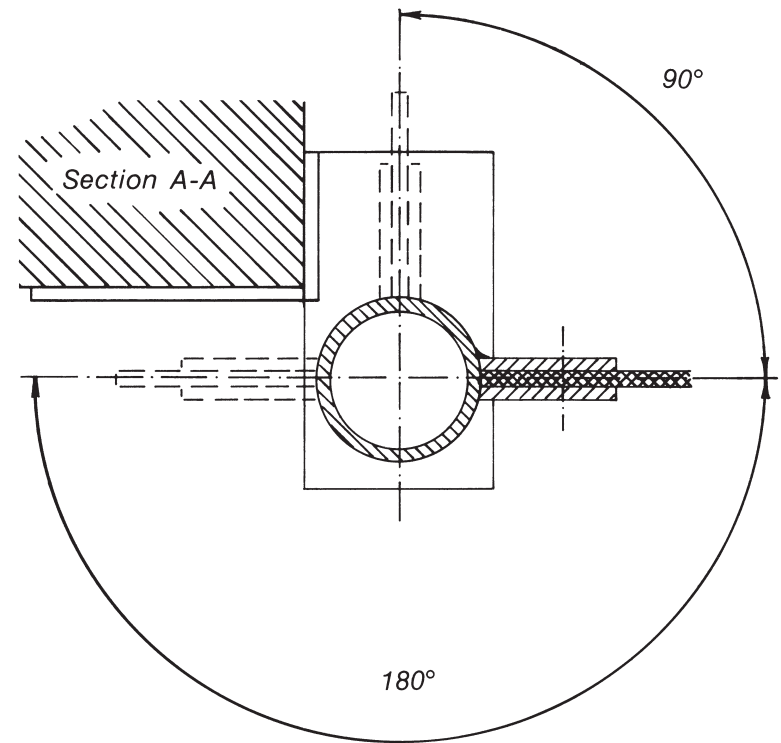


**DOOR CLEARANCE REQUIREMENTS:**

- CS FRAME CONSTRUCTION:  $C = W + 4.00''$
- CM FRAME CONSTRUCTION:  $C = W + 6.00''$
- CHD FRAME CONSTRUCTION:  $C = W + 8.00''$



**flexidoor**® HINGE DESIGN #2 (90° SWING - 180° SWING) FTD-HD2

High Performance Doors and Dock Equipment



Buncher Commerce Park  
 Avenue C Building 20-A  
 Leetsdale, PA 15056-1376  
 Telephone: +1 412-749-0400  
 Toll Free: +1 800-365-3667  
 Fax: +1 412-749-0410