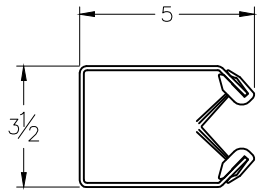
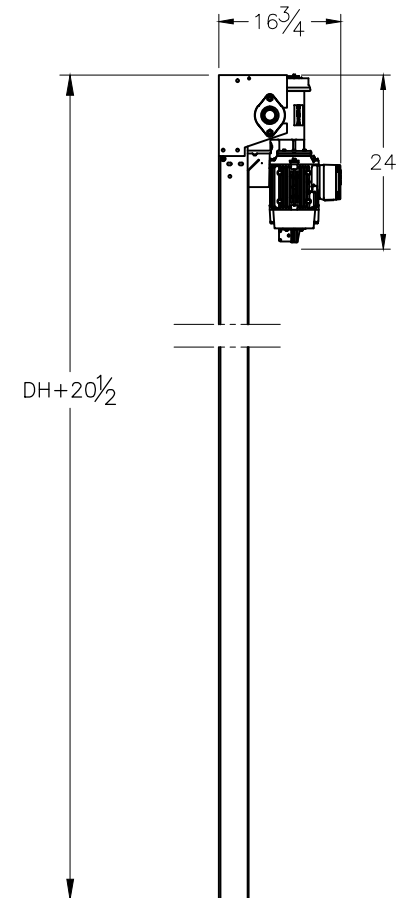
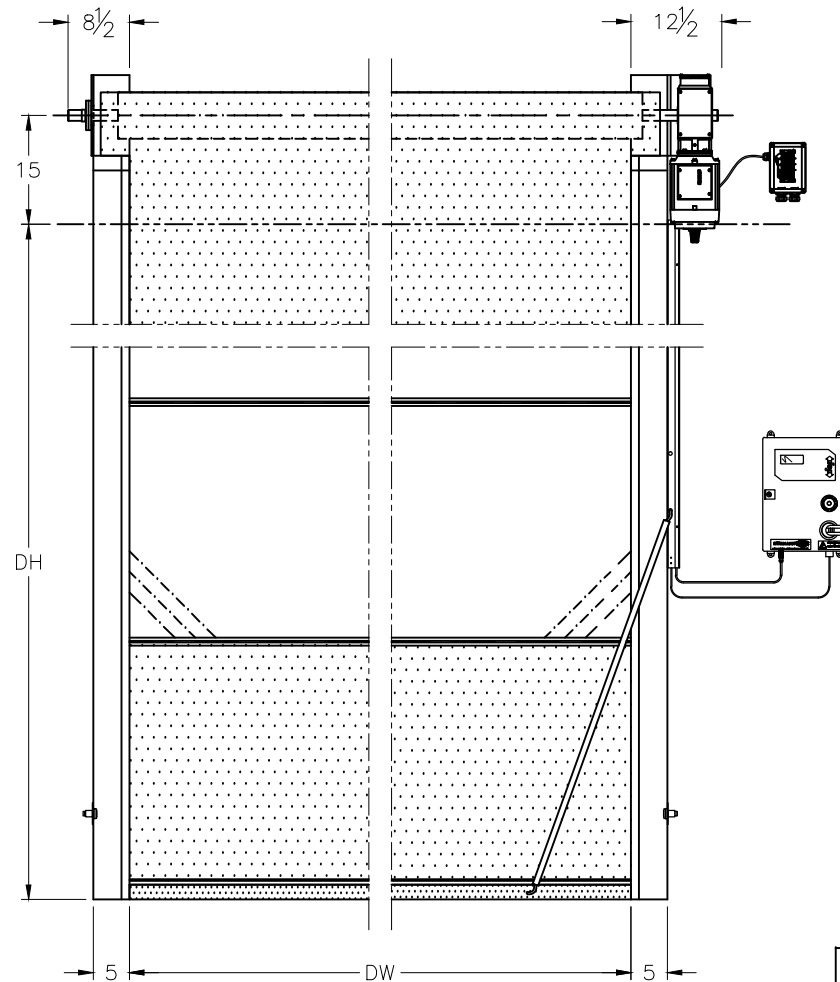
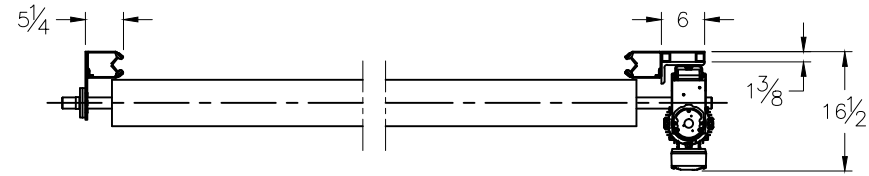


CUSTOMER:
 ADDRESS:
 CITY & STATE:
 JOB:
 MODEL: SPEED-MASTER 1600 WITH
 ONE PIECE GUIDE TRACK
 LOCATION:

HÖRMANN-FLEXON DEALER REPRESENTATIVE
 COMPANY:
 ADDRESS:
 CITY & STATE:
 TELEPHONE:

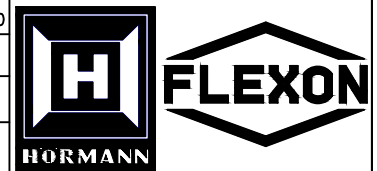


TRACK DETAIL
 N.T.S.

NOTE: ALL DIMENSIONS ARE IN INCHES.

Hörmann-Flexon LLC
 Buncher Commerce Park
 Avenue C, Building 20A
 Leetsdale, PA 15056-1376
 Phone: (724)385-9150
 Fax: (724)385-9151
 www.hormann-flexon.com
 WE RESERVE THE RIGHT TO CHANGE SPECIFICATIONS WITHOUT NOTICE
 COVERED BY U.S. PATENT NO. 4,736,785.

DRAWN	DATE
CJ	3'30'10
CHECKED	DATE
APPROVED	DATE



NAME
 HIGH-PERFORMANCE DOOR SPECIFICATIONS
 MODEL: SPEED-MASTER 1600 WITH
 ONE PIECE GUIDE TRACK