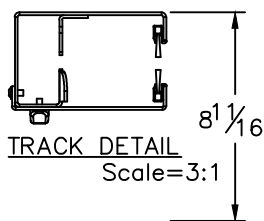
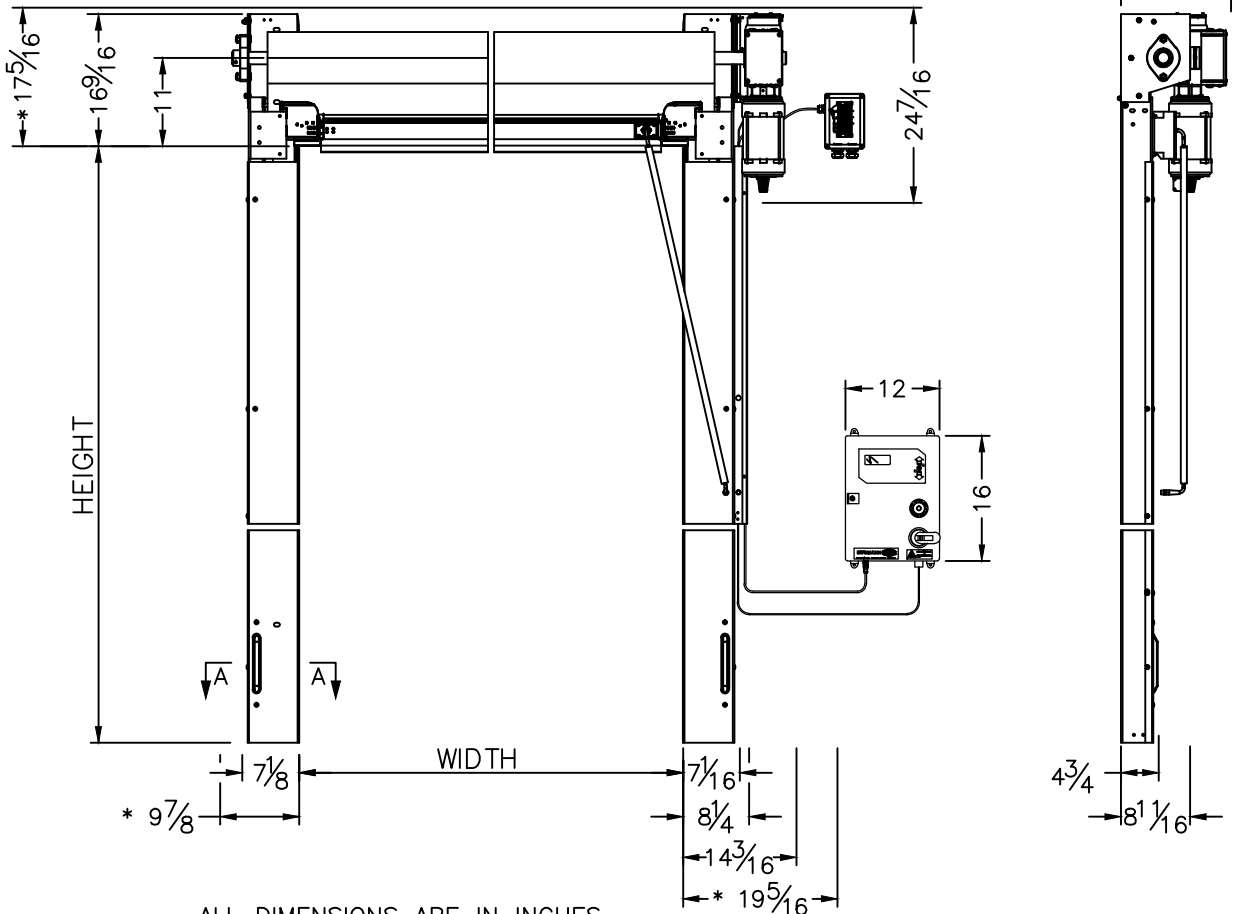


CUSTOMER:
 ADDRESS:
 CITY & STATE:
 JOB:
 MODEL: SPEED-COMMANDER™1400
 LOCATION:


HÖRMANN-FLEXON DEALER REPRESENTATIVE
 COMPANY:
 ADDRESS:
 CITY & STATE:
 TELEPHONE:



ALL DIMENSIONS ARE IN INCHES.
 * NECESSARY SPACE REQUIREMENT FOR DISASSEMBLY CONTROL BOX PROJECTION IS 6 INCHES.

Hörmann Flexon LLC
 Buncher Commerce Park
 Avenue C, Building 20A
 Leetsdale, PA 15056-1376
 Phone: (800) 365-3667
 Fax: (724) 385-9151
 www.hormann-flexon.com

WE RESERVE THE RIGHT TO CHANGE SPECIFICATIONS WITHOUT NOTICE

DRAWN	DATE	
CJ	4*1'10	
CHECKED	DATE	
APPROVED	DATE	
NAME		
HIGH PERFORMANCE DOOR SPECIFICATIONS		
MODEL: SPEED-COMMANDER™ 1400		