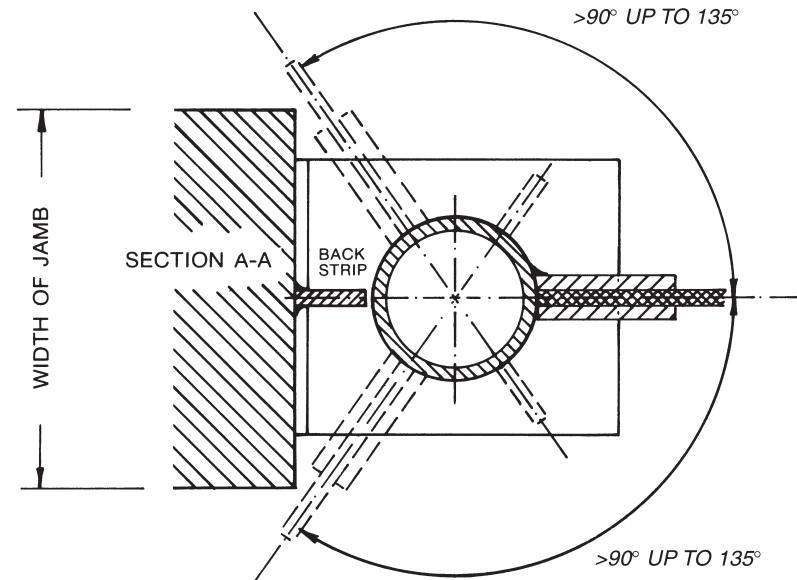


NOTE: WHEN ORDERING, PLEASE STATE REQUIRED OPENING ANGLE AND WIDTH OF JAMB



flexidoor® HINGE DESIGN #3 (> 90° SWING)

FTD-HD3

High Performance Doors and Dock Equipment

Buncher Commerce Park
 Avenue C Building 20-A
 Leetsdale, PA 15056-1376
 Telephone: +1 412-749-0400
 Toll Free: +1 800-365-3667
 Fax: +1 412-749-0410

