

Product Overview

Flexon Full-thickness Insulated Traffic Doors are designed to withstand the abuse associated with high-volume industrial and retail applications. Their full-thickness construction allows for easy pass-through by personnel and vehicles with unpalletized loads.

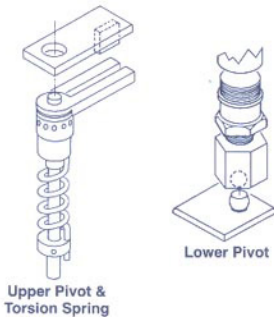
Available in a number of models, these full-thickness doors can be used in a wide variety of doorway openings.

Typical applications can include: retail stockroom doors; supermarkets; freezer & coolers; food processing facilities; pharmaceutical; and; light industrial doorways.

Model Selection Chart

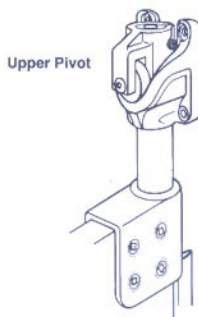
Series	Description	Application	Hardware
LD	1/4" Rigid Plastic	Non-motorized Light-duty	OS
ID-RL	1-1/4" Rigid Plastic	Non-motorized Medium-duty	VC, OS
ID-R	1-3/4" Rigid Plastic	Lt. motorized Medium-duty	TS, VC, OS
SFD-P	1-3/4" Semi-Flexible	Motorized Medium-duty	TS, VC
FD-R or P	Flexible 1-13/16" PVC or Rubber	Motorized Heavy-duty	TS, VC
ALD-A, S or P	1-3/4" Rigid	Motorized Medium to Heavy-duty	TS, VC
SC	1-3/4" Rigid Security	Lt. motorized Medium-duty	VC

Torsion Spring Hinge (TS)



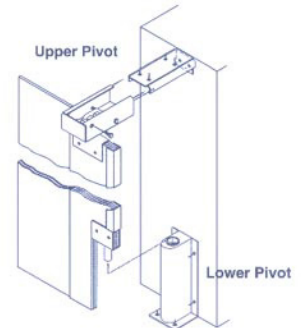
- Fully-adjustable spring to compensate for various pressure conditions.
- Opens on an even plane with 90% of the door's weight resting upon the floor.
- Standard 90 swing in both directions. Optional up to 180 swing in one direction/ 90 swing opposite or up to 135 swing in both directions.
- Full-vertical frame support over the entire door height.

V-Cam Hinge (VC)



- Heavy-duty anti-corrosive steel alloy casting with steel needle bearing.
- Non-adjustable (Std.). Optional spring compensator available.
- Jamb mounted.
- Standard 3/4" vertical rise during sweep of door panel. Up to 1-1/2" optional.
- Standard 90 swing in both directions. Optional up to 180 swing in one direction/ 90 swing opposite or up to 135 swing in both directions.

Off-Set Hinge (OS)



- Non-adjustable.
- Standard 1/2" vertical rise during sweep of door panel. Up to 1-1/2" optional.
- Bottom pivot is integrated into an 8-3/4" high stainless steel jamb guard.
- Stainless steel hardware.
- Up to 135 swing in either direction.
- Designed for doorways up to 8'0"w.